

HARDI INJET SYNTAL



HARDI INJET series:

- Air inclusion nozzles with greater drift reduction
- Air-filled droplets for improved canopy dispersion
- Removable restrictor
- ISO: Flow and colour
- SYNTAL - precision moulded thermoplastic: Resistant & durable



HARDI INJET nozzles conform to the ISO standard - regarding flow and colours - will fit nozzle caps with 10 mm clearance. Recommended for use at working pressures ranging from 300 to 800 kpa.

Optimum distribution is achieved at 50 cm boom height.

The HARDI INJET nozzles can be used for spraying at sub-optimal weather conditions, or when spraying cannot be postponed. The HARDI INJET nozzles are recommended for most pesticide applications where reduced risk of drift is demanded.

The HARDI B-JET edge nozzle produces an off-centre spray image and can as such be used for safer spraying along sensitive neighbouring crops or other buffer areas.

The HARDI INJET & B-JET nozzles are moulded from polyacetal using the latest computer technology for ultimate precision and durability.

The HARDI INJET & B-JET nozzle can be mounted using the 334083 ('98) ISO/INJET nozzle cap.



HARDI INJET SYNTAL

FORMULAS

Speed check

$$\frac{\text{Distance (m)} \times 3.6}{\text{Time (s)}} = \text{km/h}$$

Application volume

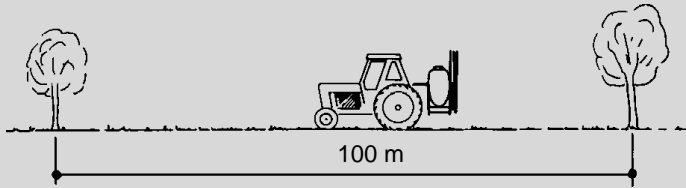
$$\frac{600 \times \text{l/min (per nozzle)}}{\text{Nozzle spacing (m)} \times \text{km/h}} = \text{l/ha}$$

Nozzle output

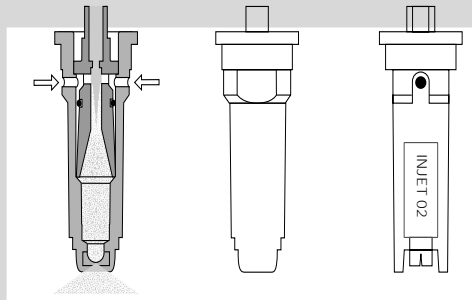
$$\frac{\text{Nozzle spacing (m)} \times \text{l/ha} \times \text{km/h}}{600} = \text{l/min (per nozzle)}$$

Pressure adjustment

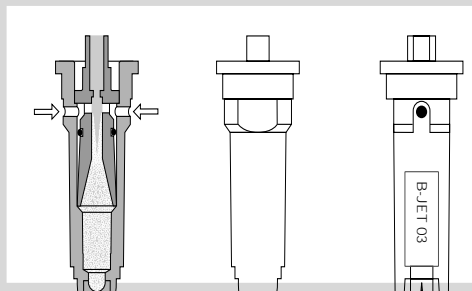
$$\left(\frac{\text{New output (l/min)}}{\text{Known output (l/min)}} \right)^2 \times \text{Known pressure (kpa)} = \text{New pressure (kpa)}$$



$$\frac{100 \text{ m} \times 3.6}{\text{Time (s)}} = \text{km/h}$$



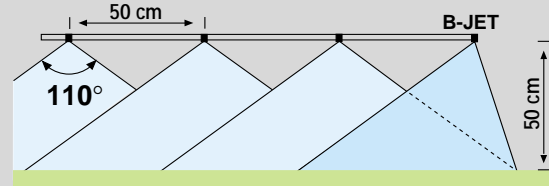
The HARDI B-JET produces a half spray swath
- turn the TRIPLET to the B-JET when spraying
along sensitive areas



S B-JET 025 Lilac 371877 (2 pcs 755806)

S B-JET 03 Blue 371870 (2 pcs 755799)

S B-JET 04 Red 371871 (2 pcs 755800)



kpa	l/min	Kilometers per hour @ l/ha					
		30	50	75	100	150	200

S INJET 015 Green 371872 (6 pcs 755801)							
300	0.59	23.6	14.2	9.4	7.1	4.7	
400	0.68	27.3	16.4	10.9	8.2	5.5	
500	0.76	30.5	18.3	12.2	9.1	6.1	4.6
600	0.84	33.4	20.0	13.4	10.0	6.7	5.0
700	0.90		21.6	14.4	10.8	7.2	5.4
800	0.96		23.1	15.4	11.6	7.7	5.8

S INJET 02 Yellow 371873 (6 pcs 755802)								
300	0.78	31.3	18.8	12.5	9.4	6.3	4.7	
400	0.90		21.7	14.4	10.8	7.2	5.4	
500	1.01		24.2	16.1	12.1	8.1	6.1	4.0
600	1.11		26.5	17.7	13.3	8.8	6.6	4.4
700	1.19		28.6	19.1	14.3	9.5	7.2	4.8
800	1.28		30.6	20.4	15.3	10.2	7.7	5.1

S INJET 025 Lilac 371874 (6 pcs 755803)		S B-JET 025 Lilac 371877 (2 pcs 755806)					
300	0.99	23.8	15.9	11.9	7.9	6.0	4.0
400	1.15	27.5	18.3	13.8	9.2	6.9	4.6
500	1.28	30.8	20.5	15.4	10.3	7.7	5.1
600	1.40	33.7	22.5	16.8	11.2	8.4	5.6
700	1.52		24.3	18.2	12.1	9.1	6.1
800	1.62		25.9	19.5	13.0	9.7	6.5

S INJET 03 Blue 371875 (6 pcs 755804)		S B-JET 03 Blue 371870 (2 pcs 755799)					
300	1.17	28.1	18.7	14.0	9.4	7.0	4.7
400	1.35	32.4	21.6	16.2	10.8	8.1	5.4
400	1.51		24.2	18.1	12.1	9.1	6.0
600	1.65		26.5	19.8	13.2	9.9	6.6
700	1.79		28.6	21.4	14.3	10.7	7.1
800	1.91		30.6	22.9	15.3	11.5	7.6

S INJET 04 Red 371876 (6 pcs 755805)		S B-JET 04 Red 371871 (2 pcs 755800)					
300	1.55	24.8	18.6	12.4	9.3	6.2	
400	1.79	28.7	21.5	14.3	10.8	7.2	
500	2.00	32.1	24.1	16.0	12.0	8.0	
600	2.20		26.3	17.6	13.2	8.8	
700	2.37		28.5	19.0	14.2	9.5	
800	2.54			20.3	15.2	10.1	

The HARDI INJET and B-JET series is available as single nozzle - can be mounted using the 334083 (*98) universal ISO/INJET nozzle cap.

HARDI Spraying Equipment